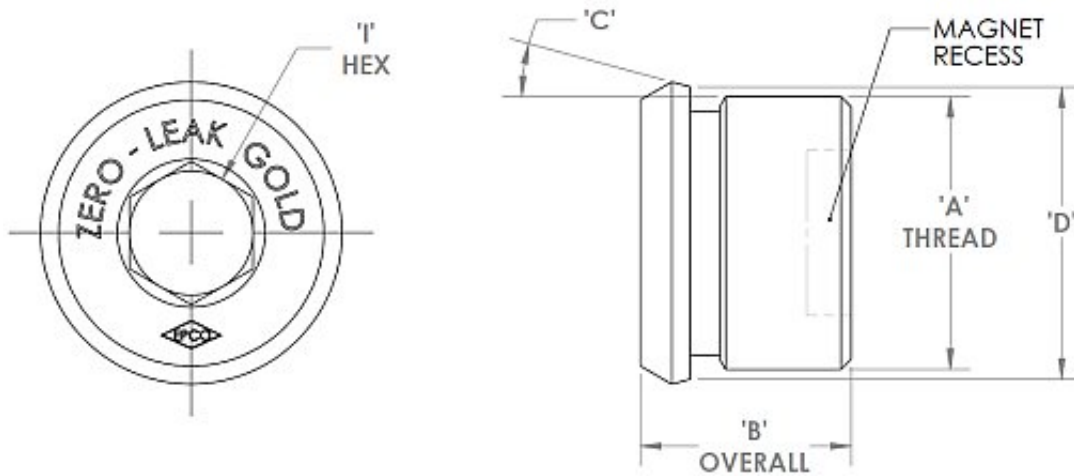


Zero-Leak Gold® (SAE 514 / English) Magnetic metric socket head plug thread port plugs which are interchangeable for plugs used with ISO 6149 standard ports.



Reference Dimensions
(10/2/2013)

EPCO PART NO.			TUBE SIZE	"A" METRIC THREAD	"B" +.50 -.50	"C" +0 -1/2	"D" +.15 -.00	"I" HEX SIZE	O-RING SIZE	MAGNET*	
12L14 Steel	316 Stainless	6000 Series Alum								SIZE	TYPE
MS-S01M	MS-SS01M	MS-A01M	3MM	M5 x 0.8	9.6	12°	5.70	2.5	3.0mm x 1.0		
MS-S02M	MS-SS02M	MS-A02M	5MM	M8 x 1.0	9.1	12°	8.85	3.0	5.0mm x 1.5		
MS-S03M	MS-SS03M	MS-A03M	6MM	M10 x 1.0	9.3	12°	10.85	5.0	7.0mm x 1.5		
MS-S04M	MS-SS04M	MS-A04M	8MM	M12 x 1.5	11.3	15°	13.55	6.0	9.0mm x 2.0		
MS-S05M	MS-SS05M	MS-A05M	10MM	M14 x 1.5	11.3	15°	15.55	6.0	11.0mm x 2.0		
MS-S06M	MS-SS06M	MS-A06M	12MM	M16 x 1.5	14.0	15°	17.55	8.0	13.0mm x 2.0		
MS-S07M	MS-SS07M	MS-A07M	14MM	M18 x 1.5	15.3	15°	19.55	8.0	15.0mm x 2.0		
MS-S08M	MS-SS08M	MS-A08M	18MM	M22 x 1.5	17.0	15°	23.55	10.0	19.0mm x 2.0		
MS-S09M	MS-SS09M	MS-A09M	20MM	M27 x 1.5	20.0	15°	29.15	10.0	24.0mm x 2.5		
MS-S10M	MS-SS10M	MS-A10M	20MM	M27 x 2.0	20.0	15°	29.15	12.0	24.0mm x 2.5		
MS-S11M	MS-SS11M	MS-A11M	22MM	M33 x 1.5	20.0	15°	35.15	12.0	30.0mm x 2.5		
MS-S12M	MS-SS12M	MS-A12M	22MM	M33 x 2.0	20.0	15°	35.15	12.0	30.0mm x 2.5		
MS-S13M	MS-SS13M	MS-A13M	25MM	M42 x 1.5	20.5	15°	44.15	15.0	39.0mm x 2.5		
MS-S14M	MS-SS14M	MS-A14M	25MM	M42 x 2.0	20.5	15°	44.15	15.0	39.0mm x 2.5		
MS-S15M	MS-SS15M	MS-A15M	35MM	M50 x 2.0	22.0	15°	52.15	20.0	47.0mm x 2.5		
MS-S16M	MS-SS16M	MS-A16M	45MM	M60 x 2.0	25.0	15°	62.15	20.0	57.0mm x 2.5		

Zero-Leak Gold® Plugs

EPCO Products, Inc. • PO Box 9250 • Fort Wayne, Indiana 46899 • 800-879-3726
www.zeroleak.com • Email: info@zeroleak.com

*Magnet size and type to be determined by application

All contents Copyright 2014 EPCO Products, Inc. All Rights Reserved.